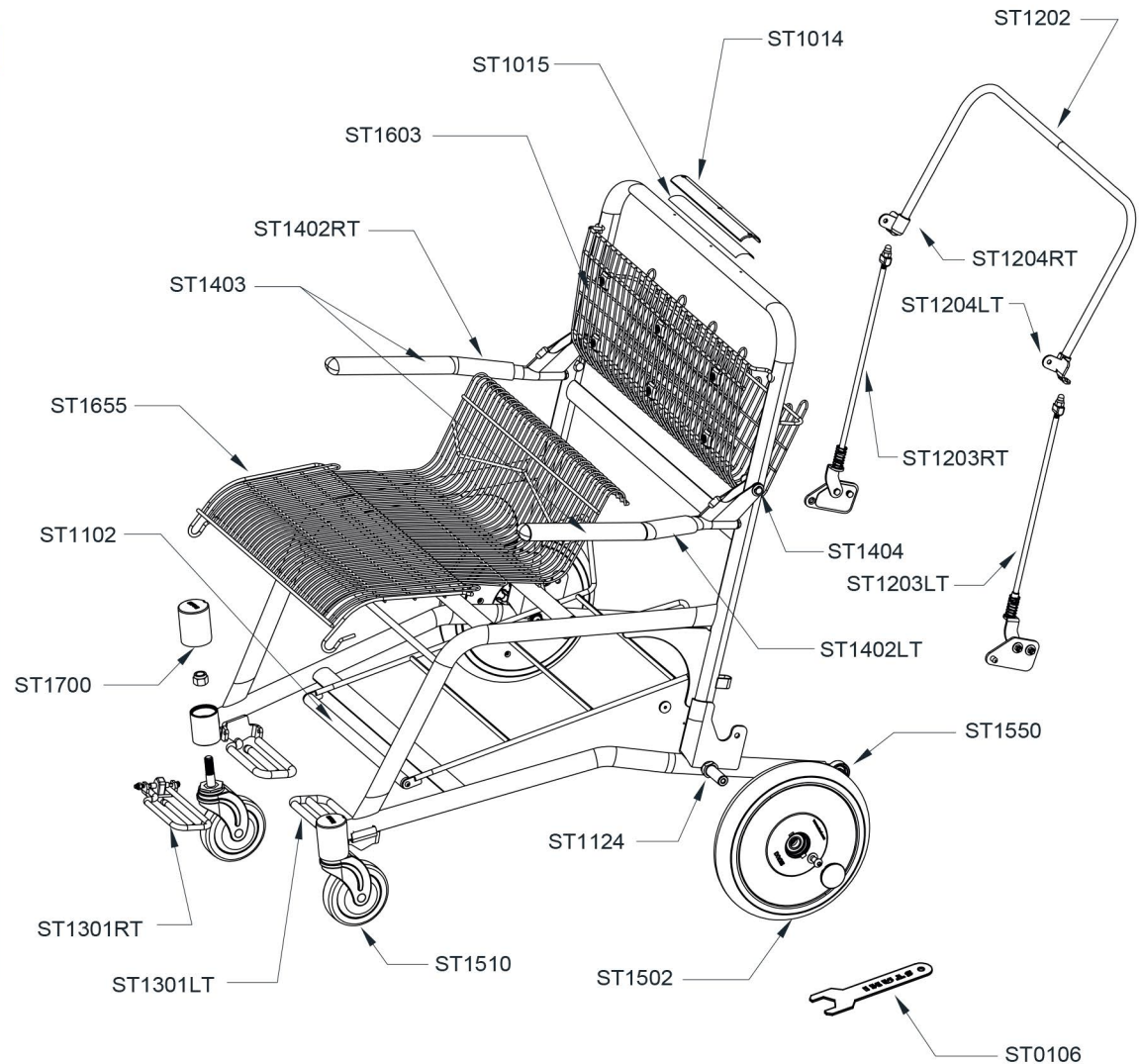


## ST310

CODE	Description
ST063	Comfort Cushion - One Piece
ST0106	Staxi Custom Caster Wrench
ST1014	Handle Bar Label Kit - w/ plastic cover - One per Kit
ST1015	Handle Bar Label Sticker Kit - Pack of 5
ST1102	Heel Bolster Kit - One per Kit
ST1124	Rear Axle Kit - Left & Right
ST1202	Upper Brake Kit - One per Kit
ST1203	Lower Brake Kit - Left & Right
ST1204	Upper Brake Weldment Kit - Left & Right
ST1301	Footrest Assembly Kit - Left & Right
ST1402	Armrest Kit - Left & Right
ST1403	Armrest Sleeve Kit - One per Kit
ST1404	Arm Rest Bolt Kit - Two per Kit
ST1502	Rear Wheel Kit - One per Kit
ST1510	Front Caster Kit - One per Kit
ST1550	Anti-Tip Wheel Kit - Two per Kit
ST1603	Seat Back Kit - One per Kit
ST1655	Seat Assembly Kit - One per Kit
ST1700	Caster Mount Cover Kit - Two per Kit
ST1903	Small Parts Kit
ST1904	Plastic Parts Kit
ST0158	Rivet Tool Kit
ST0159	Staxi Tool Kit



### Notes:

Product specification and accessory information may change at the discretion of STAXI Corporation.  
For further details contact us at 1-877-677-8294 or email [contactus@staxi.com](mailto:contactus@staxi.com)

