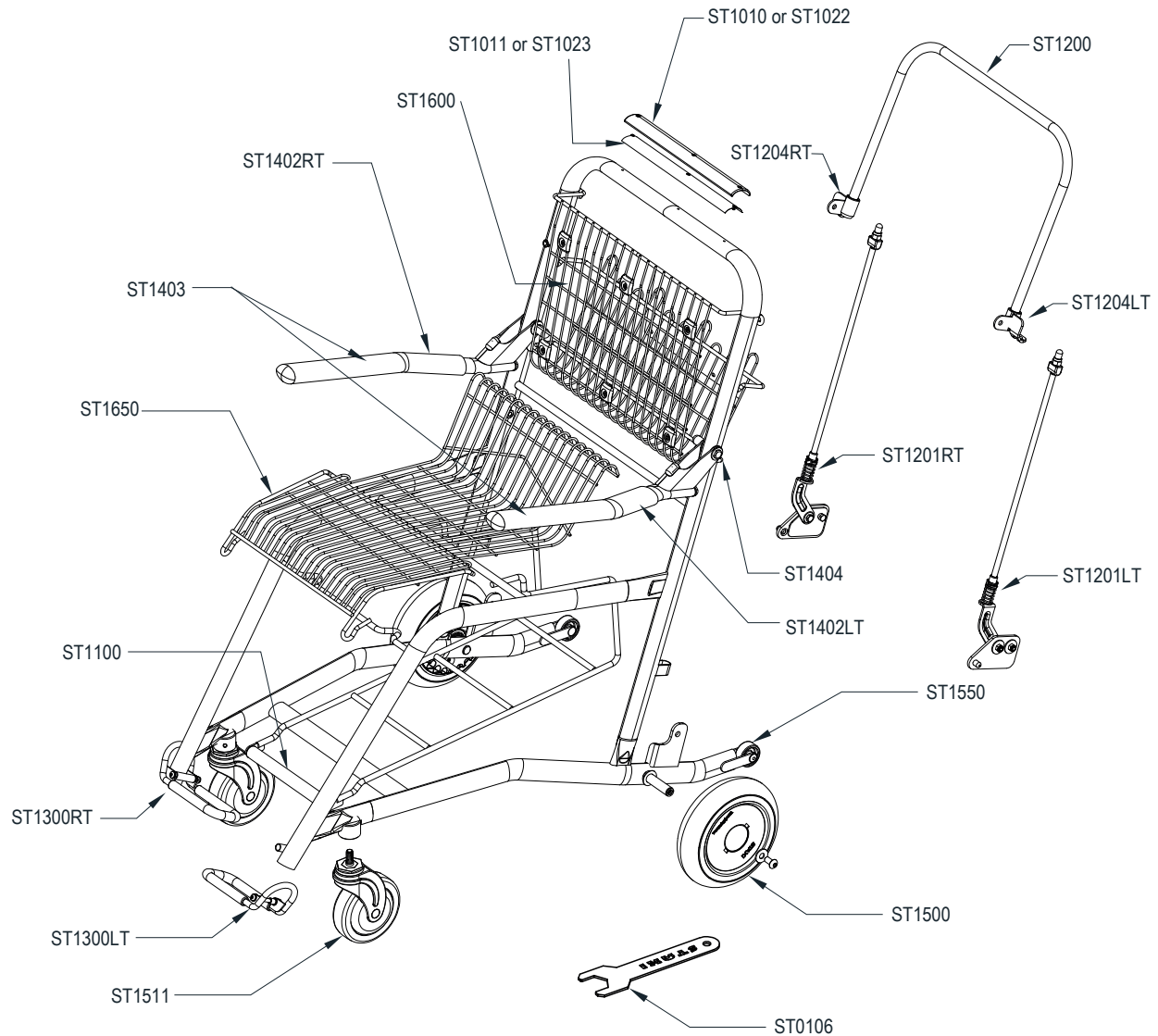


ST010

CODE	Description
ST059	Cushion - One Piece
ST061	Comfort Cushion - One Piece
ST0106	Staxi Custom Caster Wrench
ST1010	Handle Bar Label Kit 500lb w/plastic cover - One per Kit
ST1011	Handle Bar Label Sticker Kit 500lb - Pack of 5
ST1022	Handle Bar Label Kit 600lb w/plastic cover - One per Kit
ST1023	Handle Bar Label Sticker Kit 600lb - Pack of 5
ST1100	Heel Bolster Kit - One per Kit
ST1200	Upper Brake Kit - One per Kit
ST1201	Lower Brake Kit - Left & Right
ST1204	Upper Brake Weldment Kit - Left & Right
ST1300	Footrest Assembly Kit - Left & Right
ST1402	Armrest Kit - Left & Right
ST1403	Armrest Sleeve Kit - Two per Kit
ST1404	Arm Rest Bolt Kit - Two per Kit
ST1500	Rear Wheel Kit - One per Kit
ST1511	Front Caster Kit - One per Kit
ST1550	Anti-Tip Wheel Kit - Two per Kit
ST1600	Seat Back Kit - One per Kit
ST1650	Seat Assembly Kit - One per Kit
ST1901	Small Parts Kit
ST1904	Plastic Parts Kit
ST0158	Rivet Tool Kit
ST0159	Staxi Tool Kit



Notes:

Product specification and accessory information may change at the discretion of STAXI Corporation.
For further details contact us at 1-877-677-8294 or email contactus@staxi.com

