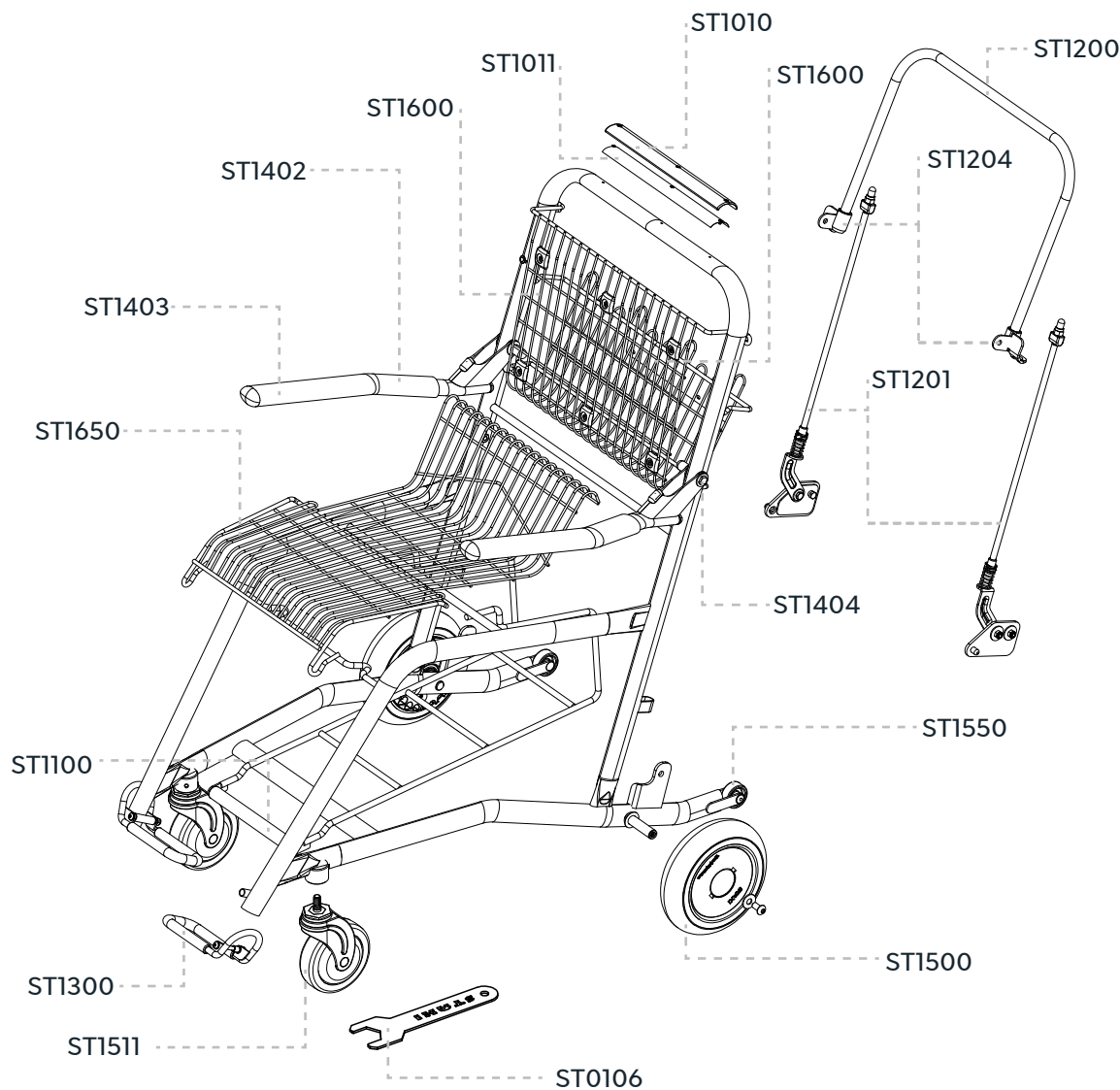


CODE	Description	Price
ST030	Master Key USA 25c Coin (Yellow)	\$21.00
ST059	Staxi Regular Cushion	\$179.00
ST0106	Staxi Caster Wrench	\$18.00
ST1010	Handle Bar Label & Cover Kit (500lbs.)	\$23.00
ST1011	Handle Bar Sticker Set - Pack of 5 (500lbs.)	\$18.00
ST1022	Handle Bar Label & Cover Kit (600lbs.)	\$23.00
ST1023	Handle Bar Sticker Set - Pack of 5 (600lbs.)	\$18.00
ST1100	Heel Bolster Kit	\$41.00
ST1200	Upper Brake Kit	\$70.00
ST1201	Lower Brake Kit, LEFT & RIGHT	\$70.00
ST1204	Upper Brake Weldment, LEFT & RIGHT	\$21.00
ST1300	Footrest Assembly Kit Dipped, PAIR	\$72.00
ST1402	Armrest Kit, LEFT & RIGHT	\$138.00
ST1403	Armrest Sleeve Kit, LEFT & RIGHT	\$33.00
ST1404	Armrest Bolt Kit	\$22.00
ST1500	Rear Wheel Kit (Contains 1 Wheel)	\$92.00
ST1511	Front Caster Kit (Contains 1 Caster) Please note: ST0106 Staxi caster wrench is required to fit each caster kit	\$70.00
ST1550	Anti-tip Wheel Kit (Contains 1 Anti-tip)	\$14.00
ST1600	Seat Back Kit	\$72.00
ST1604	Retro-fit Kit for Custom Nameplate	\$11.00
ST1650	Seat Assembly	\$70.00
ST1901	Small Parts Kit (This kit will have all nuts, bolts, washers and other parts necessary for one chair)	\$49.00
ST1904	Plastic Parts Kit (This kit will have all the plastic pieces and plastic caps necessary for one chair)	\$22.00
ST8334	ELR Finger Release Lever Kit, LEFT & RIGHT	\$31.00
ST8335	ELR Clamp Kit, LEFT & RIGHT	\$44.00
ST8573	IV Pole Holder Knob	\$10.00
ST0158	Rivet Tool Kit	\$115.00

N.B. All prices are in US Dollars



Notes:

1. Product specification and accessory information may change at the discretion of STAXI Corporation Ltd.
2. All prices exclude delivery charges.

For further details contact us at 1-877-677-8294 or email contactus@staxi.com Prices valid until: 07/31/20

