

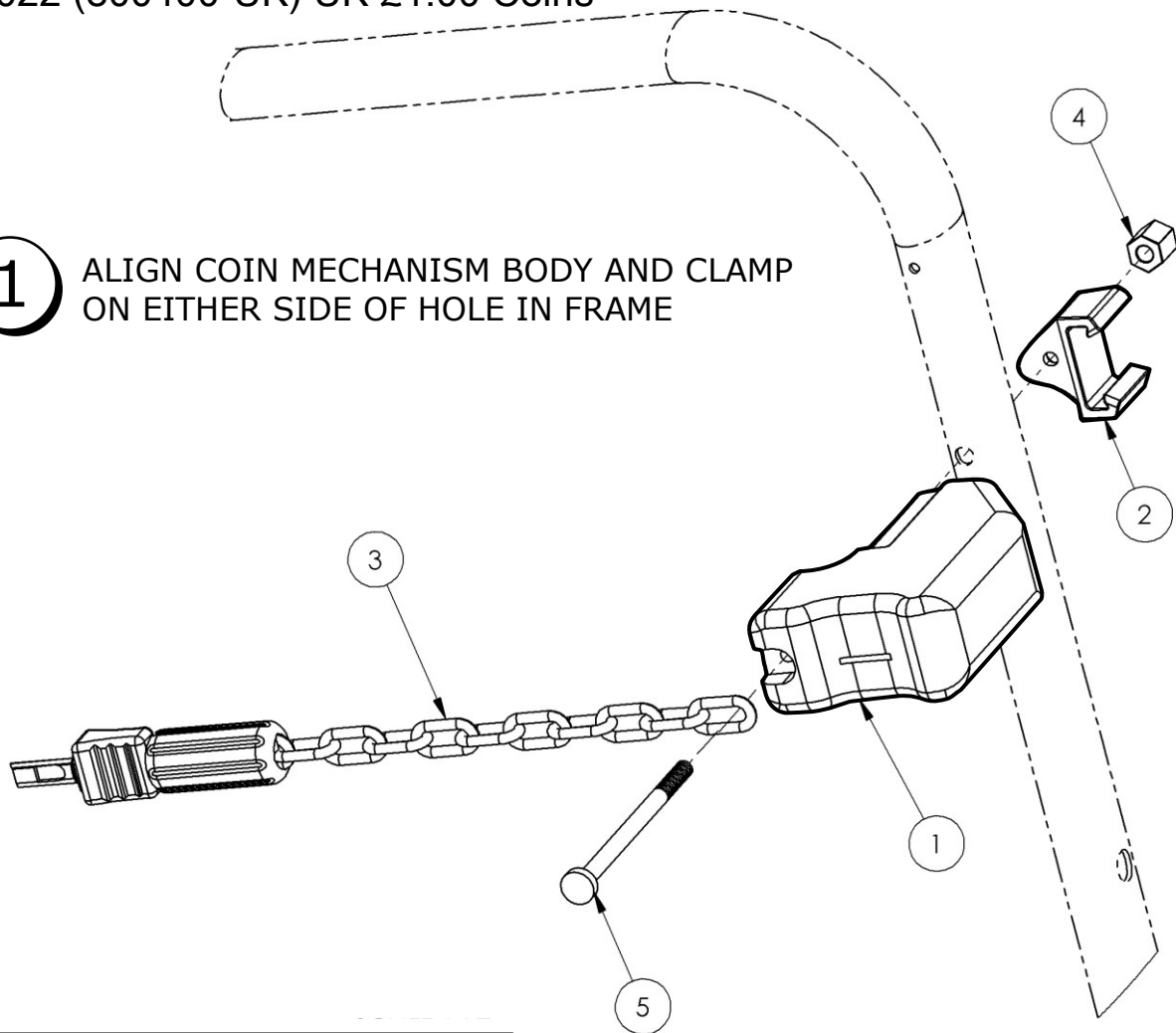
COIN LOCK MECHANISM

ST020 (800400-USA) USA \$0.25 Coins

ST021 (800400-CAD) CANADIAN \$1.00 Coins

ST022 (800400-UK) UK £1.00 Coins

- 1** ALIGN COIN MECHANISM BODY AND CLAMP ON EITHER SIDE OF HOLE IN FRAME



- 2** SECURE BY TIGHTENING SCREW WITH TORQUE BIT PROVIDED.

ITEM#	PART#	DESCRIPTION	QTY
1	800401	COIN MECH BODY	1
2	800402	COIN MECH CLAMP	1
3	800403	CHAIN AND KEY	1
4	800404	HEX NUT	1
5	800405	SCREW	1
-	700560	T30 TORQUE BIT	1