

Airport/Commercial Chair

Owner's Manual and Maintenance Instructions



Before using the *staxi*[®] Transport Chair, read this manual and follow all instructions and warnings.

**Wow-Care™: Toll Free Phone +1 866 969 1463
or +1 866 WOW 1463 Email: Wow-Care@staxi.com
Website: www.staxi.com**



Strongest Design



Hardest to Steal



Safest to Use

Rolling out Excellence

Patent No.(US) 6,315,306 Patent No.(US) 6,161,848 Patent No.(US) 6,412,795 Patent No.(CAN) 2250184 Patent No.(EUR) P11385GBEP Patent No.(UK) EP0889709

***staxi*[®]**

Contents

2

Contents	2
Introduction	3
Pre-Use Inspection Checks	4
Features	5
Safety Instructions	6
Operating Instructions	8
Cleaning & Maintenance	9
Accessories	12
Appendix	14
Warranty	19
Contact Info	20

Wow-Care™: Toll Free Phone +1 866 969 1463
or +1 866 WOW 1463 Email: Wow-Care@staxi.com
Website: www.staxi.com



Strongest Design



Hardest to Steal



Safest to Use

Rolling out Excellence

staxi[®]

Thank you for purchasing your *staxi*® Transport Chair

staxi® is a revolutionary, clinically developed, people transportation system. It is the leading wheelchair alternative and the best selling nestable transport chair worldwide.

staxi® is built specifically for busy facilities such as airports, theme parks, shopping malls, stadiums and correctional facilities, providing temporary transportation for people with disability, or who are distance-challenged, safely and comfortably.

Building on our strong sales base within leading hospitals and airports throughout North America and the UK, *staxi*® is now rapidly expanding throughout the rest of the world.

STAXI® Corporation Limited is committed to being as environmentally aware as possible. *staxi*® is the most environmentally friendly transportation system.

WHY? because it is:

- Hard to Steal – reduces replacement costs
- Durable Construction – built to last
- Virtually Maintenance Free
- Minimal Spare Parts Required
- Virtually No Maintenance and Repair Costs
- Fully Recyclable Materials

Seat Belt Recommendation

STAXI® Corporation Limited recommends that each *staxi*® transportation chair is fitted with our optional *staxi*® seatbelt.

For further details contact your *staxi*® sales Representative or Customer Services on 1-877-677-8294 or email info@staxi.com For UK call +44 (0)191 5006173

Wow-Care™: Toll Free Phone +1 866 969 1463
or +1 866 WOW 1463 Email: Wow-Care@staxi.com
Website: www.staxi.com



Strongest Design



Hardest to Steal



Safest to Use

Rolling out Excellence

***staxi*®**

Every chair is thoroughly inspected prior to leaving our facilities in accordance with the STAXI® Corporation Limited's stringent quality control procedures to ensure that each **staxi**® is in perfect working order. However, we strongly recommend that your new **staxi**® should now be inspected prior to use as on some occasions shipping can cause some movement to the mechanical parts of the chair. Prior to putting your **staxi**® into service we recommend that you undertake the following checks:

- 1 See our 'Damaged in Transit Policy' for the correct procedures to follow if any damage to either the chairs or the packing materials is visible, prior to accepting this shipment. [Click here to view this in the 'Customer Service' section at **www.staxi.com**](#)**
- 2 Visually inspect each chair to see if there are any signs of shipping damage that was not apparent prior to unpacking your new **staxi**® chairs.**
- 3 ENSURE THAT THE BRAKES ARE WORKING CORRECTLY. Follow the checks on [page 11](#) of this manual and as recommended in our 'Maintenance and Inspection Schedule'. [Click here to download this from the 'Customer Info' section at **www.staxi.com**](#)**
- 4 Inspect the rear wheels and front casters for any signs of damage.**
- 5 Ensure that the armrests and footrests are working correctly. Follow the checks as recommended in our *Maintenance and Inspection Schedule*.**
- 6 When each **staxi**® chair passes this inspection checklist, remove the red tag and enjoy your new **staxi**®.**

NOTE: The Inspection Checklist and further Use and Care manuals and videos are available from our website. [Click here](#) to download from the 'Customer Info' section at www.staxi.com

We strongly recommend you read and download these manuals and also watch the video presentation before your **staxi**® chairs are put into service.

IMPORTANT: If you notice any damage to your **staxi**® chairs following use of this checklist, please inform STAXI® Customer Services immediately on:

Tel: Toll Free Phone +1 877 677 8294 **Tel:** UK: +44 (0)191 5006173
or **Email:** info@staxi.com

Wow-Care™: Toll Free Phone +1 866 969 1463
or +1 866 WOW 1463 Email: Wow-Care@staxi.com
Website: www.staxi.com

 **Strongest Design**  **Hardest to Steal**  **Safest to Use**

Rolling out Excellence

Patent No.(US) 6,315,306 Patent No.(US) 6,161,848 Patent No.(US) 6,412,795 Patent No.(CAN) 2250184 Patent No.(EUR) P11385GBEP Patent No.(UK) EP0889709

staxi®



Strongest Design

Nesting – *staxi*[®] chair's 'nest' – utilizing only 40% of the floor space of traditional wheelchairs.

High Capacity – strong, stable design provides 500lbs (225kgs) weight capacity for the standard medical & airport chairs.

Comfort – contoured seat offers secure comfort.

Non-folding frame – durable and built to last.

Virtually maintenance free – no removable parts.

Large storage space – for occupant convenience and stress free travel.

One-year unlimited parts warranty – for peace of mind.

Fully patented product.



Hardest to Steal

Traceable Serial Number – registered for easy retrieval.

Unique non-folding frame – non-collapsible design deters thieves.

Non-removable Components – armrests, footrests and accessories move but are not removable.

Attendant Propelled – the *staxi*[®] chair requires an attendant, making it useful only as an institutional, commercial, or industrial transport chair.

Fail-safe Brake – automatically locks.

Nestable Design and Optional Coin Return Mechanism – promotes safe chair return.



Safest to Use

Automatic Braking System – engage brake handle forward to move, release for automatic, safe stop.

Lifting Armrests and Moveable Footrests – facilitate side entry and exit for optimum safety of patients and attendants.

Fail-safe Brake – automatically locks.

Built-in Anti-tip Features

- Maximizes Patient Safety
- Safe and easy to operate
- Perfectly balanced to reduce strain.

Wow-Care™: Toll Free Phone +1 866 969 1463
or +1 866 WOW 1463 Email: Wow-Care@staxi.com
Website: www.staxi.com

 **Strongest Design**

 **Hardest to Steal**

 **Safest to Use**

***staxi*[®]**
Rolling out Excellence

To reduce the risk of SERIOUS INJURY or DEATH follow these rules for safe use of this *staxi*® Transport Chair:

Occupants must enter this chair from the side

Raise the armrest to enter from the side, never from the front of the chair. See handlebar label.

Occupants must be able to sit upright unassisted

Sit upright, fully back in seat with armrests lowered and feet on the footrests.

Do not use this chair for young children or those without upper truncal control. Occupants must be able to hold themselves upright unassisted.

Attendant must stay with chair when occupied

Never leave an occupant unattended. Occupants are unable to move the chair and are at risk in the event of an emergency.

Do not overload the chair

The total weight limit for this chair is 500 lbs. This includes the weight of the occupant plus any bags, cargo, or accessories loaded onto the chair.

Avoid tip-overs and falls from the chair

Only one (1) occupant at a time.

Avoid going over curbs or ledges. If you must, STAXI® recommends going rearward by carefully lowering the rear wheels over/onto the obstacle then backing over in a controlled manner.

Do not attempt a 'U' turn or a 360° maneuver on a slope, ramp or incline.

Do not stand on the footrests. Footrests are only to be used by a properly seated occupant.

Never wheel this chair on escalators or stairs.

Always use seatbelts (if installed)

Always use the seatbelt, if one is provided. For more information on seatbelt options, contact STAXI®.

Use caution when maneuvering chair

As with all transport chairs and wheelchairs, extra care should be taken when maneuvering an occupied *staxi*® chair through narrow or crowded spaces. Be careful not to pinch the occupant's arms or hands between the armrests and walls or door edges when navigating a narrow doorway or tight gap. Take care that the occupant's feet are not jammed between, or stubbed on, objects to the front or sides of the chair.

Wow-Care™: Toll Free Phone +1 866 969 1463
or +1 866 WOW 1463 Email: Wow-Care@staxi.com
Website: www.staxi.com



Strongest Design



Hardest to Steal



Safest to Use

Rolling out Excellence

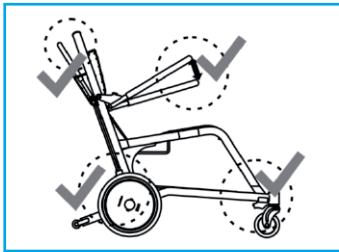
staxi®

Do not transport luggage in the seat or on the occupant's lap. Items may fall on slopes. Use the luggage area below the seat to carry baggage. Never place children in car seats on this chair.

Braking

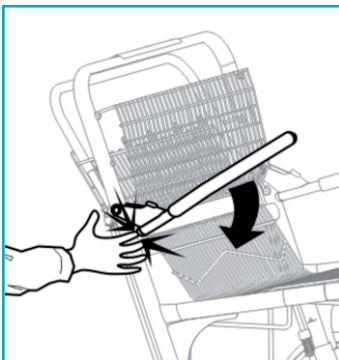
staxi[®] chairs incorporate a unique 'Fail Safe' Braking System. By engaging the brake, the chair will move freely. Once released, the chair will automatically and safely stop. For optimum comfort to the occupant release the brake bar after coming to a complete stop.

The **staxi**[®] chair braking system also allows for secure and safe entry and exit for the occupant. **NOTE:** Always enter and exit from the side (see page 8) or [click here](#) to see a video demonstration, also available from the 'Downloads' section at www.staxi.com



Check functional parts regularly

Although **staxi**[®] chairs require very little maintenance, it is very important to do a thorough inspection of the functional parts of the chair monthly. See the Maintenance section of this manual for recommended checks (see page 9) or [click here](#) to go to the 'Customer Info' section of our website at www.staxi.com for a video presentation.



Be aware of potential pinch points

Areas around the footrests, armrests, brake lever, and brake mechanism can pose pinching risks. Do not operate these components without being aware of the potential pinch points. Do not allow small children to play around or under the chair.

Para obtener información de seguridad en español, visite nuestro sitio web.

Pour plus d'informations de sécurité en français, visitez notre site web.

For a replacement or additional manuals, please [click here](#) to go to the 'Downloads' section of our website www.staxi.com

Wow-Care™: Toll Free Phone +1 866 969 1463
or +1 866 WOW 1463 Email: Wow-Care@staxi.com
Website: www.staxi.com



Strongest Design



Hardest to Steal



Safest to Use

Rolling out Excellence

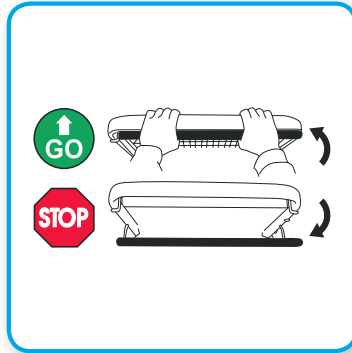
staxi[®]

Getting into the *staxi*® chair

A video demonstration of how to get in and out of the *staxi*® chair is available in the product features of the 'Medical' section on our website www.staxi.com click here to view.



Moving the *staxi*® Chair



Getting out of the *staxi*® Chair

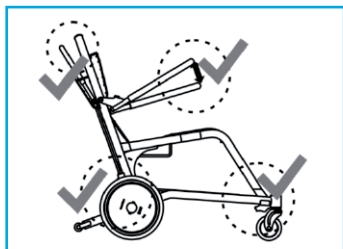


Wow-Care™: Toll Free Phone +1 866 969 1463
or +1 866 WOW 1463 Email: Wow-Care@staxi.com
Website: www.staxi.com

 **Strongest Design**  **Hardest to Steal**  **Safest to Use**

***staxi*®**
Rolling out Excellence

Patent No.(US) 6,315,306 Patent No.(US) 6,161,848 Patent No.(US) 6,412,795 Patent No.(CAN) 2250184 Patent No.(EUR) P11385GBEP Patent No.(UK) EP0889709



Check functional parts regularly

Although **staxi**® chairs require very little maintenance, it is very important to do a thorough inspection of the functional parts of the chair on a regular basis. See the Maintenance Schedule below for recommended checks or [click here](#) to go to the 'Customer Info' section of our website at www.staxi.com for a video presentation.

Monthly Inspection Checklist	Quarterly Maintenance and as required
Brake	
<p>The brake is an automatic fail-safe system. When new the brake maybe a little stiff, but this will ease with use.</p> <ol style="list-style-type: none"> 1. Does the brake operate smoothly? 2. Do the brake pins that engage in the brake locking cogs move smoothly in and out of the locking cogs when the brake is operated? 3. Do the pins bottom out in the locking cogs when the brake is released? 4. Does the brake make a clicking sound when the chair is pushed with the brake off? <p>If you answer NO to any of questions 1, 2 or 3, the brakes need adjusting. If you answer YES to question 4 the brakes need adjusting.</p>	<p>Lubricate: Apply lubricant on and between the moving parts. Synthetic lubricants are recommended. Other lubricants such as WD40 can also be used.</p> <p>Adjust: Squeeze the brake bar against the push bar and hold. Adjust the brake by turning the nut at the top of the black lower brake rod. While doing this watch the pin that engages in the brake locking cogs. When this pin is just clear of the cogs the brake is adjusted correctly. Release the brake bar and make certain that when released, the pin is seated in the bottom of the brake locking cogs. Please do not over-tighten or over-adjust the brake.</p>
Rear Wheels and Front Casters	
<p>Inspect for wear. If either shows any signs of excessive wear, replace them. Make sure that the screws that hold the rear wheels on are tight. Make sure that the front casters are fully screwed into the chair frame, and are tight.</p>	<p>The rear wheel and front caster bearings are sealed and need no maintenance.</p>
Armrests	
<ol style="list-style-type: none"> 1. Do they lift smoothly? 2. Are they secure? 3. Do they stay upright when moved to the upright position? <p>If you answered NO to any of these questions the armrests need adjusting.</p>	<p>Adjust: Adjust by tightening the inner nut until the armrest is adjusted correctly. When adjusted correctly, the armrest will move smoothly and stay upright when moved to the upright position. Then tighten the outer nut against the inner nut to lock them together. Use two wrenches to do this. Do this both sides.</p>

Wow-Care™: Toll Free Phone +1 866 969 1463
or +1 866 WOW 1463 Email: Wow-Care@staxi.com
Website: www.staxi.com



Strongest Design **Hardest to Steal** **Safest to Use**

Rolling out Excellence

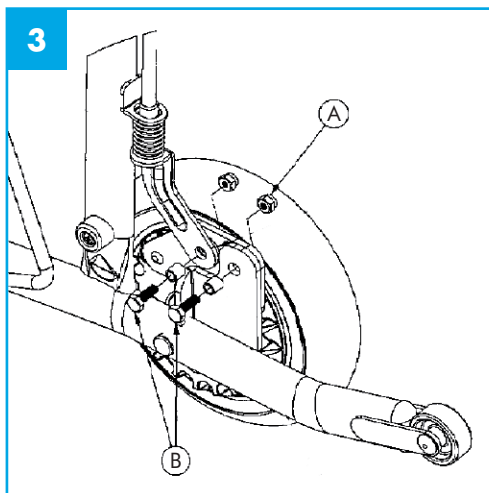
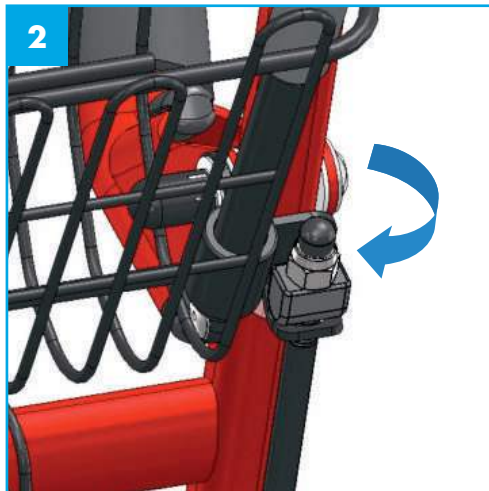
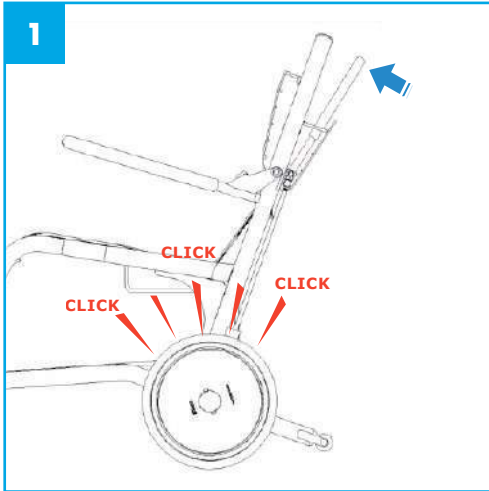
Footrests	
<p>1. Does it lift smoothly? 2. Is it secure? 3. Does it stay upright when moved into the upright position? If you answered NO to any of these questions the footrests need adjusting.</p>	<p>Adjust: Adjust by tightening or loosening the nut on the footrest pivot. Be sure that the footrest will move smoothly, and stay upright when moved to the upright position.</p>
Cleaning	
<p>Cleaning should be done as frequently as required to maintain hygiene and safety.</p>	<p>Chair: Clean the chair using mild detergent and water, or car wash cleaners. Do not use abrasive cleaners. Power washers can be used. Cushions: You can clean the cushions using almost any cleaning fluids. Do not use bleach in high concentrations. Do not use any acid containing cleaning liquids.</p>



Wow-Care™: Toll Free Phone +1 866 969 1463
or +1 866 WOW 1463 Email: Wow-Care@staxi.com
Website: www.staxi.com

 **Strongest Design**  **Hardest to Steal**  **Safest to Use**

staxi[®]
Rolling out Excellence



- 1 Push brake lever and roll chair forward
- 2 If brakes 'click' with lever depressed then brakes need adjusting.
- 3 Squeeze the brake bar against the push bar and hold. Adjust the brake by turning the nut at the top of black lower brake rod. While doing this watch the pin that engages in the brake locking cogs. When this pin is just clear of the cogs the brake is adjusted correctly. Release the brake bar and make certain that when released, the pin is seated in the bottom of the brake locking cogs.
- 4 If brake is not falling into socket, loosen bolts very slightly or until the brake falls. See diagram 3 (A & B)

Alternatively [click here](#) to go to the 'Customer Info' section of our website at www.staxi.com to view the 'Monthly Maintenance' video presentation.

Wow-Care™: Toll Free Phone +1 866 969 1463
or +1 866 WOW 1463 Email: Wow-Care@staxi.com
Website: www.staxi.com



Strongest Design



Hardest to Steal



Safest to Use

Rolling out Excellence

staxi® Chair Add-on Accessories



Coin Return Mechanism

Links chairs together in stand; coin is inserted to release a chair

Seat Belt

For added occupant security

Cushion

Easy to install; meets North American flammability code: CAL TB 133

Customer Nameplate

Can be used for identification, advertisements, messages or sponsor logos

Wow-Care™: Toll Free Phone +1 866 969 1463
or +1 866 WOW 1463 Email: Wow-Care@staxi.com
Website: www.staxi.com



Strongest Design



Hardest to Steal



Safest to Use

Rolling out Excellence

Stands for *staxi*® Chairs

Stainless steel stands are available for the *staxi*® chairs. To learn more about the stands, contact Customer Service or [click here](#) to visit the accessories section of our website at www.staxi.com



Wow-Care™: Toll Free Phone +1 866 969 1463
or +1 866 WOW 1463 Email: Wow-Care@staxi.com
Website: www.staxi.com



Strongest Design



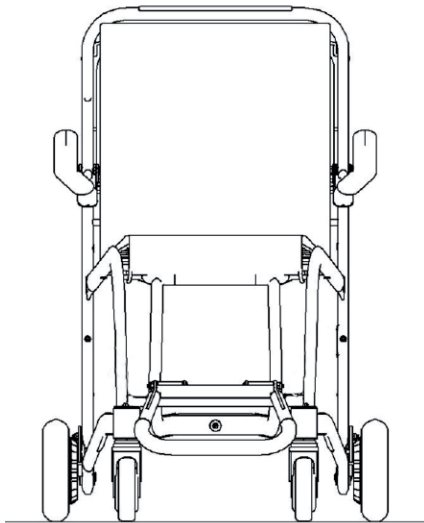
Hardest to Steal



Safest to Use

Rolling out Excellence

staxi® Airport/Commercial Chair Specifications



Overall Dimensions				
Width	Length	Seat to Floor	Back Height	Seat Width
27" (686mm)	39" (991mm)	19-22" (483-559mm)	40½" (1029mm)	18" (457mm)

Nesting Dimensions		
Nest	Nest with cushion	First chair
12.5" (318mm)	13.5" (343mm)	39" (991mm)

Weight		
Chair weight 64lbs (29kg)	Shipping Weight 99lbs (45kg)	Occupancy Capacity 500lbs (227kg)

Colors
Automotive Grade. Specially Formulated. Mar-resistant. Undercoat & Overcoat. Weather Resistant
Blue, Red and Diamond Black.

Chair Specifications	
Arm Rests	Steel Oval Tubing. Non-porous sleeve. Lift for easy transfer
Footrest	Steel. Non-Removable. Lifts for comfort
Brake	Automatic; Fail Safe Ratchet
Wheels	2 1/8" (54mm) composite wheel. 8" (203mm) diameter. Non-marring
Casters	5" (127mm). Urethane. Sealed bearing. Non-marring
Frame	Heavy duty; Formed oval tubing
Cushion	Antimicrobial treated upholstery.

Wow-Care™: Toll Free Phone +1 866 969 1463
or +1 866 WOW 1463 Email: Wow-Care@staxi.com
Website: www.staxi.com



Strongest Design **Hardest to Steal** **Safest to Use**

Rolling out Excellence

Patent No.(US) 6,315,306 Patent No.(US) 6,161,848 Patent No.(US) 6,412,795 Patent No.(CAN) 2250184 Patent No.(EUR) P11385GBEP Patent No.(UK) EP0889709

Components

Brake

Automatic fail safe "on"; push chair brake bar to release.

Casters and Wheels

Non-marking tires.

Sealed bearings.

Caster: 5" dia. (125mm)

Rear Wheel: 8" dia. (200mm)

Footrest

Painted Stainless Steel.

Armrests

Lift up for ease of side entry.

Painted steel with plastisol cover.

Brake Bar

Painted steel.

Heel Bolster

Closed cell foam covered steel.

Seat

Bucket style wire mesh permanently fixed to frame.

Backrest

Wire mesh; permanently fixed to frame.

Integrated storage basket and bag hooks.

Wow-Care™: Toll Free Phone +1 866 969 1463
or +1 866 WOW 1463 Email: Wow-Care@staxi.com
Website: www.staxi.com



Strongest Design



Hardest to Steal



Safest to Use

Rolling out Excellence

staxi[®]

Accessories

Seat Cushion

Meets or exceeds CAL TB 133

Outer shell: PU, Fire Retardent inner liner and foam core. Anti-Bacterial. Anti-Fungal. Non-Allergenic.

Seat Belt

Retractable with Adjustable straps.

Standard waist extended length: 76" (1940mm)

Stands

2" (50mm) OD polished stainless steel tube welded construction.

Sign Flag Pole included. Weight 52lbs 24kgs

Custom Name Plate

Custom graphics; 6" x 15" (152x381mm)

Coin Return Lock Mechanism

May be configured to accept coins of different denominations.

Wow-Care™: Toll Free Phone +1 866 969 1463
or +1 866 WOW 1463 Email: Wow-Care@staxi.com
Website: www.staxi.com



Strongest Design



Hardest to Steal



Safest to Use

Rolling out Excellence

staxi[®]

staxi® Airport/Commercial Chair Service Parts

Code	Description
ST1010	Handle Bar Label & Cover Kit
ST1011	Handle Bar Sticker Set – Pack of 5
ST1200	Upper Brake Kit
ST1204	Upper Brake Weldment, LEFT & RIGHT
ST1201	Lower Brake Kit, LEFT & RIGHT
ST1160	Bumper Kit
ST1302	Main Foot Rest Kit
ST1402	Armrest Kit, LEFT & RIGHT
ST1403	Armrest Sleeve Kit, LEFT & RIGHT
ST1404	Armrest Bolt Kit
ST1500	Rear Wheel Kit (Contains 1 Wheel)
ST1510	Front Caster Kit (Contains 1 Caster) Please note: ST0106 staxi ® wrench is required to fit each caster kit
ST1700	Caster Mount Cover Kit (PAIR)
ST1550	Anti-tip Wheel Kit (Contains 1 Anti-tip)
ST1600	Backrest Kit
ST1650	Seat Assembly
ST0160	staxi ® Caster Wrench
ST1902	Small Parts Kit (This kit will have all nuts, bolts, washers and other parts necessary for one chair)
ST1904	Plastic Parts Kit (This kit will have all the plastic pieces and plastic caps necessary for one chair)
ST101-VK	Velcro Kit for UHF Stands

Wow-Care™: Toll Free Phone +1 866 969 1463
or +1 866 WOW 1463 Email: Wow-Care@staxi.com
Website: www.staxi.com

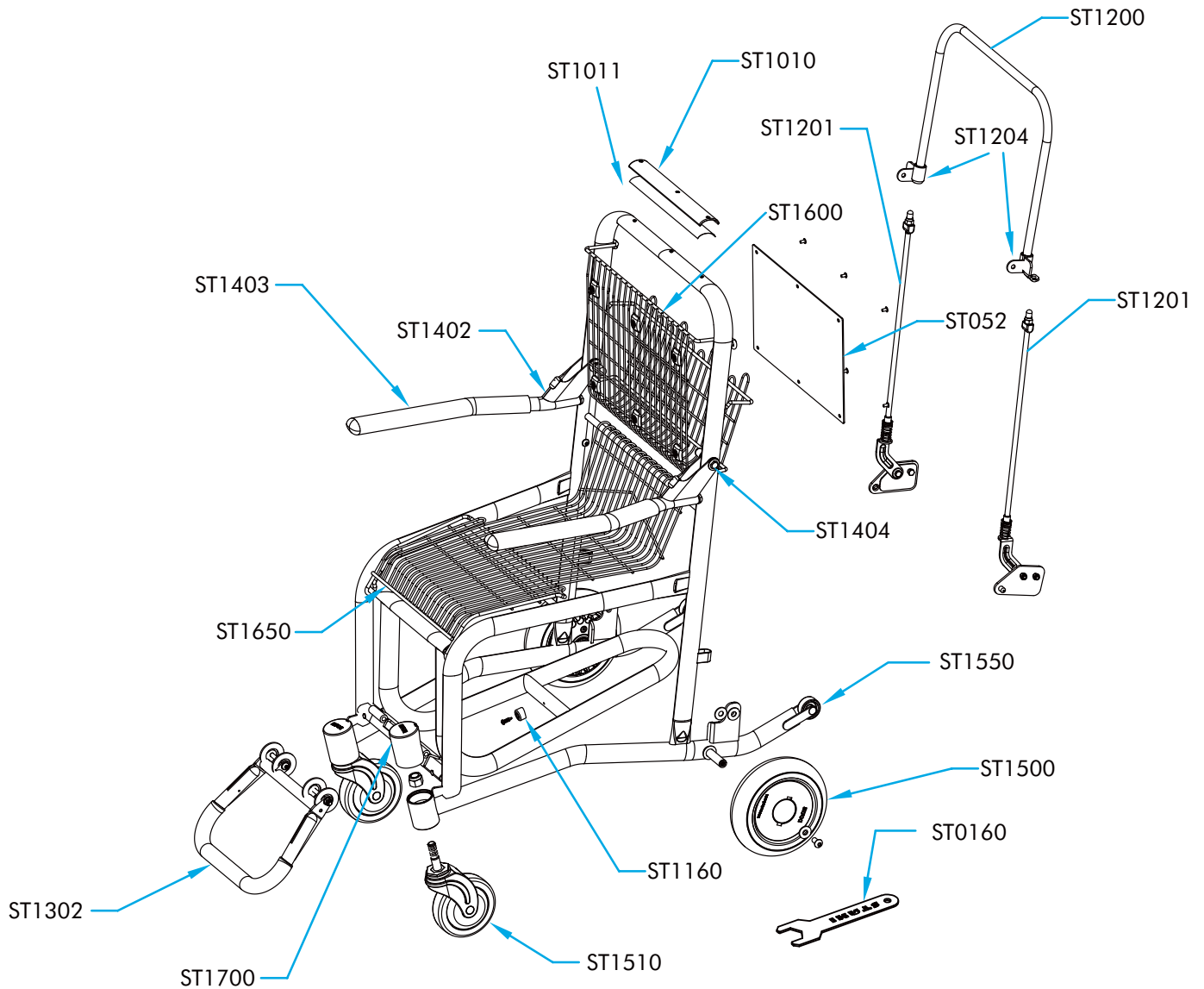


Strongest Design **Hardest to Steal** **Safest to Use**

Rolling out Excellence

Patent No.(US) 6,315,306 Patent No.(US) 6,161,848 Patent No.(US) 6,412,795 Patent No.(CAN) 2250184 Patent No.(EUR) P11385GBEP Patent No.(UK) EP0889709

staxi® Airport/Commercial Chair Service Parts



Wow-Care™: Toll Free Phone +1 866 969 1463
or +1 866 WOW 1463 Email: Wow-Care@staxi.com
Website: www.staxi.com



Rolling out Excellence

Strongest Design **Hardest to Steal** **Safest to Use**

Patent No.(US) 6,315,306 Patent No.(US) 6,161,848 Patent No.(US) 6,412,795 Patent No.(CAN) 2250184 Patent No.(EUR) P11385GBEP Patent No.(UK) EP0889709

STAXI® Corporation Limited backs its **staxi**® Transport Chair with a one-year unlimited parts warranty for the Airport/Commercial chair. This warranty protects you against defects in design and workmanship that arise under normal circumstances. The warranty does not cover misuse, extreme use and abuse. Also not covered within the warranty are theft, vandalism or any defect or deficiency that results, in whole or in part, from the following:

Any alterations, improper storage, handling, use or maintenance, or any extraordinary use of the products by anyone other than STAXI® Corporation Limited;

Failure to follow any of STAXI® Corporation Limited written recommendations or instructions;

Using or combining the products with parts or accessories, other than those provided by, or recommended by STAXI® Corporation Limited;

Vandalism, any accident, act of nature or any cause external to the products as furnished by STAXI® Corporation Limited or beyond the Corporations reasonable control.

STAXI® Corporation Limited backs its other Products and Accessories with a one-year parts warranty.

Returns Policy

If, for any reason, you are not satisfied with your purchase you can return it to STAXI® Corporation Limited within 30 days and you will be reimbursed for your order. We ask that you return the product to us in the same condition and with the same packaging that you received it. You are responsible for any costs incurred to return an item to us. A re-stocking charge may apply. For full details of our returns policy, please [click here](#) to view the 'Customer Services' section of www.staxi.com or call: **Toll Free 1.877.677.8294**

Wow-Care™: Toll Free Phone +1 866 969 1463
or +1 866 WOW 1463 Email: Wow-Care@staxi.com
Website: www.staxi.com



Strongest Design



Hardest to Steal



Safest to Use

Rolling out Excellence

staxi®

STAXI® Corporation Limited

Toll Free Phone 1.877.677.8294

Toll Free Fax 1.888.226.3518

Email info@staxi.com

www.staxi.com

Wow-Care™

Helen Ford Wow-Care™ Manager

Toll Free Phone: 1-866-969-1463 Ext 207

or Toll Free Phone: 1-866-WOW-1463 Ext 207

Email: helenf@staxi.com



staxiblog

YouTube™



Wow-Care™: Toll Free Phone +1 866 969 1463
or +1 866 WOW 1463 Email: Wow-Care@staxi.com
Website: www.staxi.com



Strongest Design



Hardest to Steal



Safest to Use

Rolling out Excellence

staxi®